

2x2 Ultra-Lok housing with a prefilter in the upper-right corner.

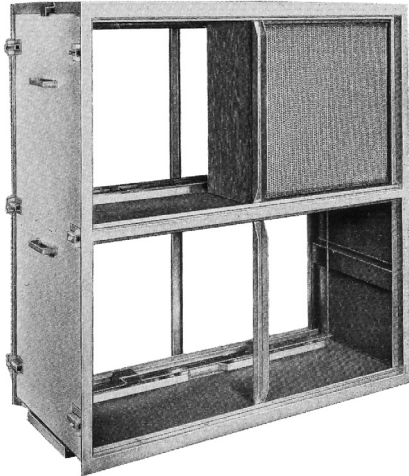
Typically installed on the exhaust of the fan.

PROVIDES A STURDY HOUSING FOR HEPA AFTERFILTERS.

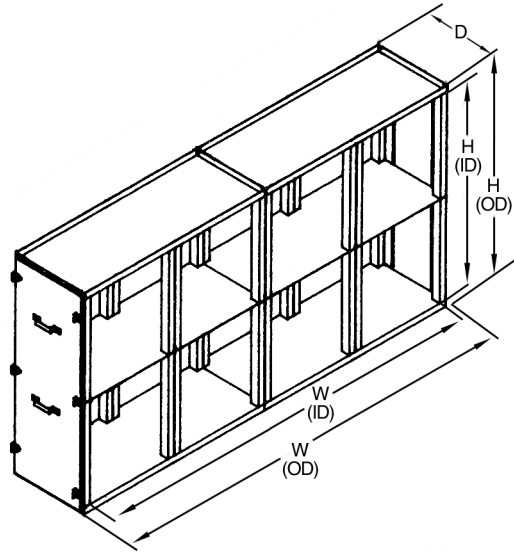
- Modular construction specifically designed to integrate with any Donaldson® Torit® dust collection system.
- Provides backup filtration in the event of dust collector leakage.
- Pressure gauge identifies service requirements for better performance monitoring capabilities.
- Access from both sides provides easy filter changeout with no tools.
- HEPA final filter provides 99.97% efficiency on 0.3 µm particles.
- Configured to hold 1, 2, 3, 4, 6, 8, 9, or 12 HEPA filters and Air-O-J™ prefilters.
- Compact, self-contained unit designed for flexible floor placement to conserve space.
- Durable 14 gauge carbon construction resists rust and corrosion.
- Recirculates clean air, eliminating the need for costly make-up air.

ULTRA-LOK™ AFTERFILTER HOUSING SYSTEM

DIMENSIONS & SPECIFICATIONS



2 x 2 Ultra-Lok Housing



2 x 4 Ultra-Lok Housing

Modules		Capacity (cfm)	Dimensions (inches)				
High	Wide		Height		Width		Depth
			ID	OD	ID	OD	
1	1	2,000	24.19	28.19	23.86	26.62	23
1	2	4,000	24.19	28.19	48.05	50.81	23
1	3	6,000	24.19	28.19	72.15	74.91	23
1	4	8,000	24.19	28.19	96.24	99.00	23
2	1	4,000	49.50	53.50	23.86	26.62	23
2	2	8,000	49.50	53.50	48.05	50.81	23
2	3	12,000	49.50	53.50	72.15	74.91	23
2	4	16,000	49.50	53.50	96.24	99.00	23
3	1	6,000	74.81	78.81	23.86	26.62	23
3	2	12,000	74.81	78.81	48.05	50.81	23
3	3	18,000	74.81	78.81	72.15	74.91	23
3	4	24,000	74.81	78.81	96.24	99.00	23

The unit is designed to handle up to 3" of positive static pressure. All units include housing, HEPA filters and Air-O-J prefilters. Bottom and top interface flanges for customer ductwork are 2" wide and side interface flanges are 1-3/8" wide. All interface flanges are located outside of the airstream. Filters are 24" x 24" nominal.

EQUIPMENT OPTIONS

- Gauge Kit, 4228601, includes Magnehelic®* gauge, tubing, and connection fittings.

*Magnehelic is a registered trademark of Dwyer Instruments, Inc.

Significantly improve the performance of your collector with genuine Donaldson Torit replacement filters and parts. [Browse our catalog at donaldson.com](http://donaldson.com)



Donaldson Company, Inc.
Torit
P.O. Box 1299
Minneapolis, MN
55440-1299 U.S.A.

Tel 800-365-1331 (USA)
Tel 800-343-3639 (within Mexico)

donaldson.com
donaldson.com



Data Sheet Ultra-Lok (08/11)

© 1991 Donaldson Co., Inc. All Rights Reserved. Information in the document is subject to change without notice. Donaldson Torit is a registered trademark of Donaldson Company, Inc.