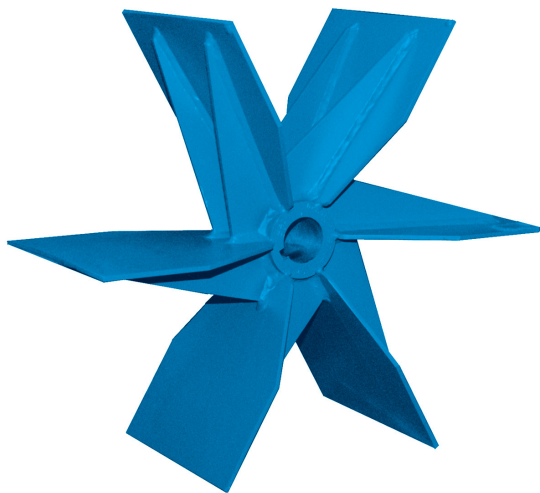


The Donaldson[®] Torit[®] RBO/RBA series of fans are excellent choices for many industrial applications. The RBO is an open type radial paddle wheel design and is extremely rugged. Applications include coarse materials, sawdust, sticky products or other abrasive materials.

The RBA is an efficient modified radial fan design. RBA fans are excellent for relatively clean air containing light dust or fumes.



RBO Wheel



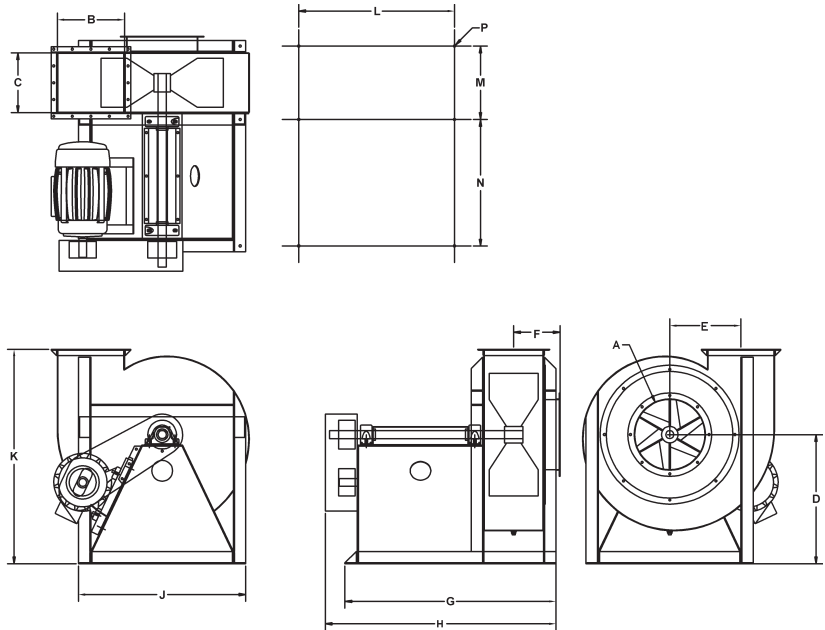
RBA Wheel

RBO/RBA INDUSTRIAL FANS

STANDARD FEATURES & AVAILABLE OPTIONS

CATEGORY	Std	Opt
Full-welded carbon steel construction	X	
Flanged inlet and outlet	X	
230/460/60/3 TEFC motor*	X	
V-belt drive with 1.5 service factor	X	
Class SD wheel	X	
Spherical roller bearings	X	
Safety blue belt and shaft guards	X	
Standard metal preparation	X	
Primed and painted industrial white enamel	X	
Class HD wheels		X
Special paints and coatings		X
Aluminum spark resistant liner		X

DIMENSIONS & SPECIFICATIONS



* All 60 Hz motors above 1HP are EISA compliant and meet or exceed NEMA Premium® per Table 12-12. NEMA Premium is a registered trademark of National Electrical Manufacturers Association.

Model	Dimensions													
	A	B	C	D	E	F	G	H	J	K	L	M	N	P
909	9	8-5/8	7-11/16	24	9-3/16	7-7/8	29-9/16	35-1/16	22	35-1/8	20-1/4	11-15/16	15-7/8	9/16
911	11	10-9/16	9-7/16	24-3/4	11-3/16	8-9/16	35-7/16	42	25-3/8	38-1/4	23-5/8	11-11/16	22	9/16
913	13	12-7/16	11-1/8	27-1/4	13-1/16	9-7/8	41-3/4	45-3/4	29-1/2	43-1/8	27-3/4	13-3/8	26-5/8	9/16
915	15	14-5/16	12-13/16	28-1/4	15-1/4	9-1/16	47	51-3/4	35-1/8	46-1/2	32-3/8	16-1/16	28-3/16	9/16
917	17	16-1/4	14-1/2	31-1/4	17-1/4	11-1/4	51-1/8	55-7/8	40-1/2	51-7/8	37-3/4	17-3/4	30-5/8	9/16
919	19	18-1/16	16-1/8	33-1/4	19-3/16	12-1/16	53-5/8	59-3/8	44	56-3/16	41-1/4	19-3/8	31-1/2	11/16
921	21	20	17-13/16	34-1/2	21-1/4	13-1/8	56-9/16	62-1/8	45-1/2	58	42-3/4	21-1/16	32-13/16	11/16
923	23	22	19-5/8	37-1/2	23-1/4	14-5/16	58-3/8	64-3/8	50	64	47-1/4	22-7/8	32-3/4	13/16
926	26	24-13/16	22-1/8	41-3/4	26-3/16	15-1/16	63-3/8	70-5/8	58	70-3/4	55-1/4	25-3/16	35-7/16	13/16
929	29	27-11/16	24-5/8	46-1/4	29-1/2	16-5/16	65-7/8	73-1/8	60-1/2	78-1/4	57-3/4	27-7/8	35-1/4	13/16
933	33	31-1/8	27-5/8	47	33-1/2	18	72	79-1/4	67-3/4	83-1/2	68	32-1/4	36	13/16
937	37	35-3/16	31-1/2	53	37-1/2	19-3/4	78-7/8	85-3/8	78-7/8	93-3/4	74-7/8	35-1/2	37-3/8	13/16

Not for construction

Significantly improve the performance of your collector with genuine Donaldson Torit replacement filters and parts. [Browse our catalog at donaldson.com](http://donaldson.com)



Donaldson Company, Inc.
Torit
P.O. Box 1299
Minneapolis, MN
55440-1299 U.S.A.

Tel 800-365-1331 (USA)
Tel 800-343-3639 (within Mexico)

donaldson.com
donaldson.com

