

MDV-3



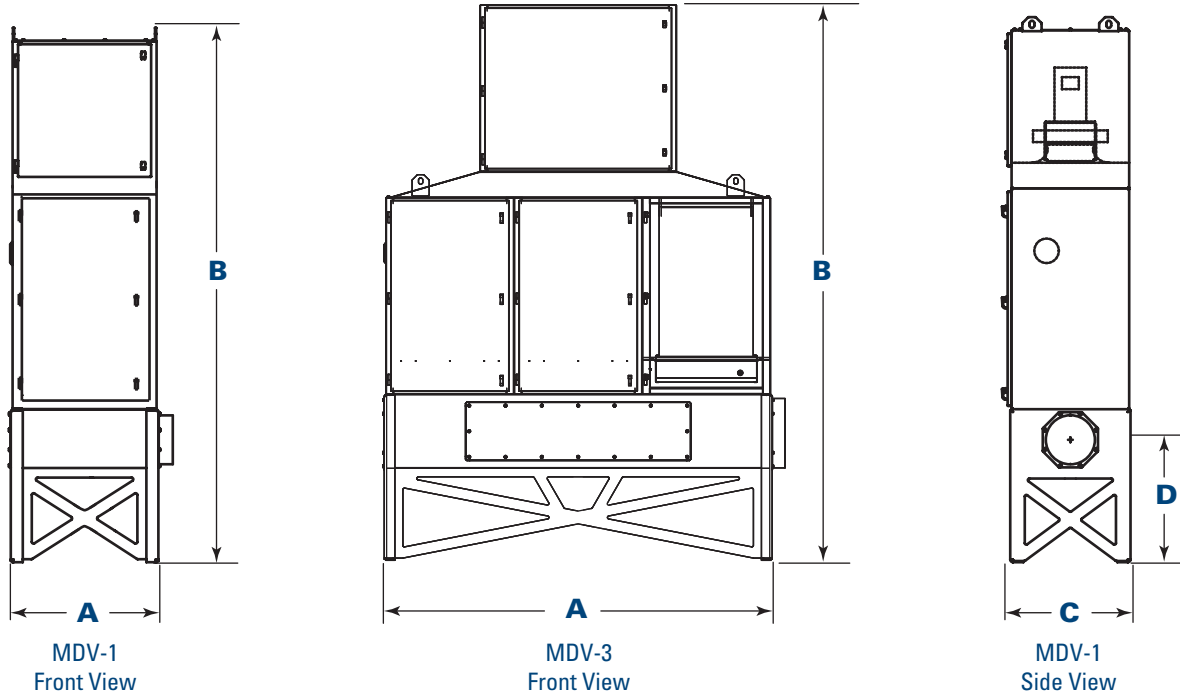
MDV-1

High performance mist collectors designed to filter mist, smoke, and dust from wet grinding, wet machining, soldering / brazing, die casting, and other metal making applications.

- Three-stage filtration for high filtration efficiency and optimum filter life.
- Versatile design handles coolant mist, wetted dust and swarf, liquids and smoke in tough applications.
- High efficiency airfoil fan with NEMA Premium® Efficiency Electric Motor maximizes performance and reduces operating costs.
- Vertical orientation enhances filter drainage and improves vee-bag filter life.
- Variety of design layouts and filter choices for both flexibility and expandability.
- Larger custom sizes available.
- Provides a cleaner work environment for maximum productivity.
- Helps support OSHA Clean Air Standards.

MODULAR MEDIAFILTER™ VERTICAL SERIES

DIMENSIONS & SPECIFICATIONS



Model	Nominal Airflow** (cfm)	Filter Area Primary Filter (ft ²)	Motor (hp)	Inlet Collar (in)	Dimensions (inches)				Shipping Weight (lbs)
					A	B	C	D	
MDV-1	1000 2000	126	1.5 3	10	30.8	113.6	25.1	25.5	790
MDV-2	2000 4000	252	3 7.5	14	60.8	127.9	25.1	28.8	1325
MDV-3	3000 6000	378	5 10	16	90.8	129.9	25.1	29.8	1800

EQUIPMENT OPTIONS

Prefilter

- Impinger
- 4" Multi-Vee
- First-stage high efficiency filter, 24" x 24" x 4"

2" P-Trap with optional Y-Strainer assembly

HEPA or 95% D.O.P. filter module,
24" x 24" x 11.5" with Minihelic®* gauge

Sprinkler head

* Minihelic is a registered trademark of Dwyer Instruments, Inc.

** Based on clean filters @ 3-4 "wg ESP.

Significantly improve the performance of your collector with genuine Donaldson Torit replacement filters and parts. [Browse our catalog at donaldson.com](https://www.donaldson.com)



Donaldson Company, Inc.
Torit
P.O. Box 1299
Minneapolis, MN
55440-1299 U.S.A.

Tel 800-365-1331 (USA)
Tel 800-343-3639 (within Mexico)

donaldson.com
donaldson.com



Data Sheet Modular MediaFilter-Vertical Series (08/11)

© 1999 Donaldson Co., Inc. All Rights Reserved. Information in the document is subject to change without notice. Donaldson Torit is a registered trademark of Donaldson Company, Inc. Contains Donaldson proprietary technology.