

Compact, machine-mountable mist collectors dedicated for use on combined machine operations.

- Three stage filtration for high filtration efficiency and optimum filter life.
- Handles mist, smoke, and particulate applications up to 1200 cfm.
- Standard Minihelic® gauge indicates when filter maintenance is required.
- Hinged access doors makes filter changeout easy and simple.
- Provides a cleaner work environment for maximum productivity.
- Helps support OSHA Clean Air Standards.
- Optional HEPA filter is available on all models.

Designed to filter contaminants from machining operations and industrial processes.

- CNC machining
- Grinding
- Turning
- Milling
- Drilling operations



MM 1200
with Optional HEPA

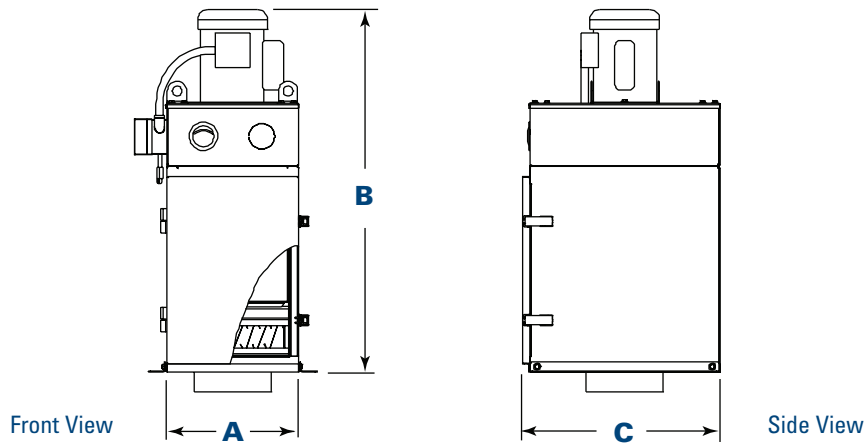
MM 1200
with Optional Junction Box

STANDARD FEATURES & AVAILABLE OPTIONS

STANDARD	OPTIONAL
Three-stage filtration	Inlet hose kit
Direct-drive fans — ½, 1, and 1½ hp	High efficiency first-stage filter (MM 1200 only)
Hinged access door	P-Trap (MM 1200 only)
High-loft, fine-fiber primary filter	Inlet plenum (MM 1200 only)
10-year warranty	Support legs (MM 1200 only)

MINI-MIST COLLECTORS

DIMENSIONS & SPECIFICATIONS



Model	Description	Nominal Airflow* (cfm)	1st Stage	2nd Stage	3rd Stage	Inlet Collars	Dimensions (inches)			Shipping Weight (lbs)
							A	B	C	
MM 500	Machine-mountable, 3-stage filtration, ½ hp power pack	500	4" aluminum impinger	1" aluminum mesh	95% high-loft glass fiber filter	6", 8"	13.5	39.2	20.3	95
MM 500 with HEPA option	Machine-mountable, 3-stage filtration plus HEPA filter, ½ hp power pack	300	4" aluminum impinger	1" aluminum mesh	95% high-loft glass fiber filter	6", 8"	13.5	49.7	20.3	120
MM 1200 1 hp	Machine-mountable, 3-stage filtration, 1 hp power pack	1000	4" aluminum impinger	1" aluminum mesh	95% high-loft glass fiber filter	6", 8" or 10"	25.5	41.4	24.3	285
MM 1200 1 hp with HEPA option	Machine-mountable, 3-stage filtration plus HEPA filter, 1 hp power pack	800	4" aluminum impinger	1" aluminum mesh	95% high-loft glass fiber filter	6", 8" or 10"	25.5	54.7	24.3	350
MM 1200 1½ hp	Machine-mountable, 3-stage filtration, 1½ hp power pack	1200	4" aluminum impinger	1" aluminum mesh	95% high-loft glass fiber filter	6", 8" or 10"	25.5	41.4	24.3	290
MM 1200 1½ hp with HEPA option	Machine-mountable, 3-stage filtration plus HEPA filter, 1½ hp power pack	950	4" aluminum impinger	1" aluminum mesh	95% high-loft glass fiber filter	6", 8" or 10"	25.5	54.7	25.3	355

* Based on clean filters.

Significantly improve the performance of your collector with genuine Donaldson Torit replacement filters and parts. [Browse our catalog at donaldson.com](https://www.donaldson.com)



Donaldson Company, Inc.
Torit
P.O. Box 1299
Minneapolis, MN
55440-1299 U.S.A.

Tel 800-365-1331 (USA)
Tel 800-343-3639 (within Mexico)

donaldson.com
donaldson.com



Data Sheet Mini-Mist Collectors (08/11)

© 2003 Donaldson Co., Inc. All Rights Reserved. Information in the document is subject to change without notice. Donaldson Torit is a registered trademark of Donaldson Company, Inc. Contains Donaldson proprietary technology.